

Developing of energy resources accounting and controlling system for the Internet of Things

Sergey Popov, Evgeny Chernyy
NRU ITMO



Smart grid for local energy consumers

- Poll energy consumption data (statistics, alerts) from local facilities
- Provide bidirectional communication between energy consumers and producers
- Integrate local facility devices to the country-scale smart grid

Current state of electric energy consumers in Russia

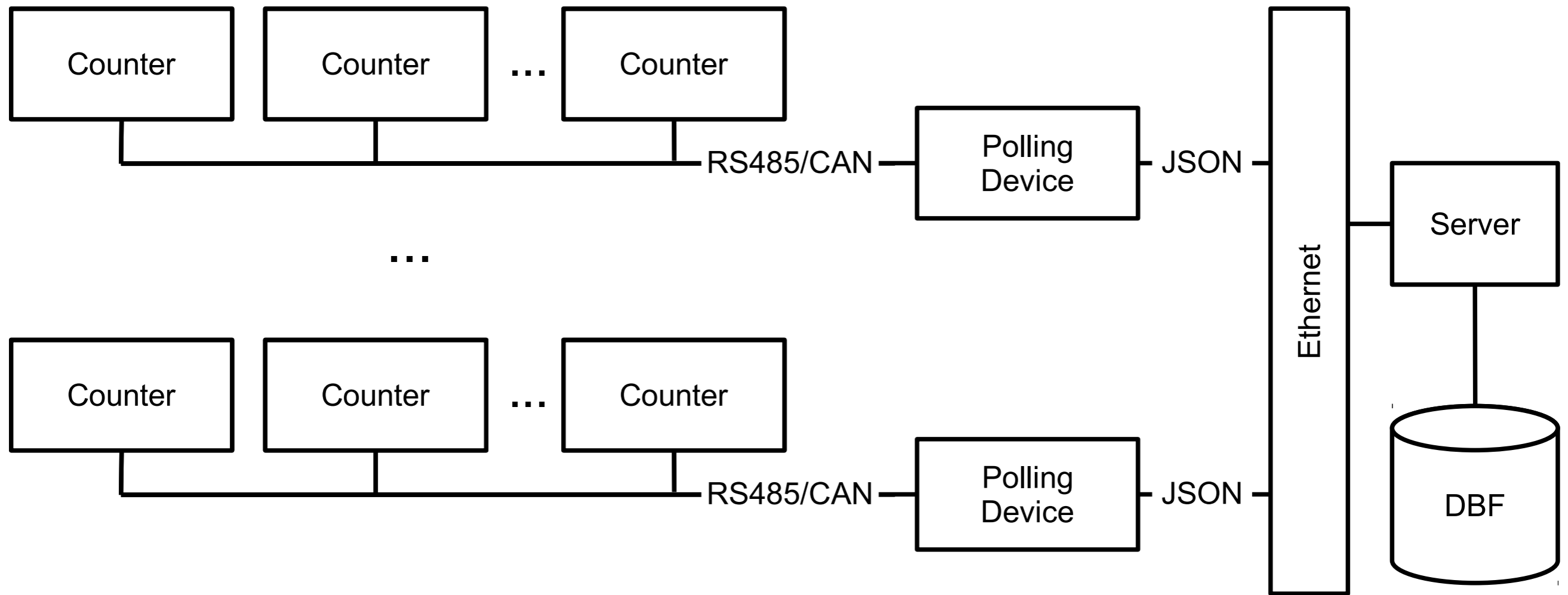
- According to Russian government regulation #442 from 04 may 2012 all consumers with energy consumption over 670 kW/hr. should switch to an hourly rate of pay
- Existing solutions require upgrade of metering equipment on the whole facility and aimed primarily for automatic reports generation

Current work

- At this point we're working on energy data polling
- Our system polls data from 70 electricity meters from 4 power stations at LenPoligrafMash's (LPM) facility
- This data are sent to company's accounting system (1C based) and used for visualising and reports generation

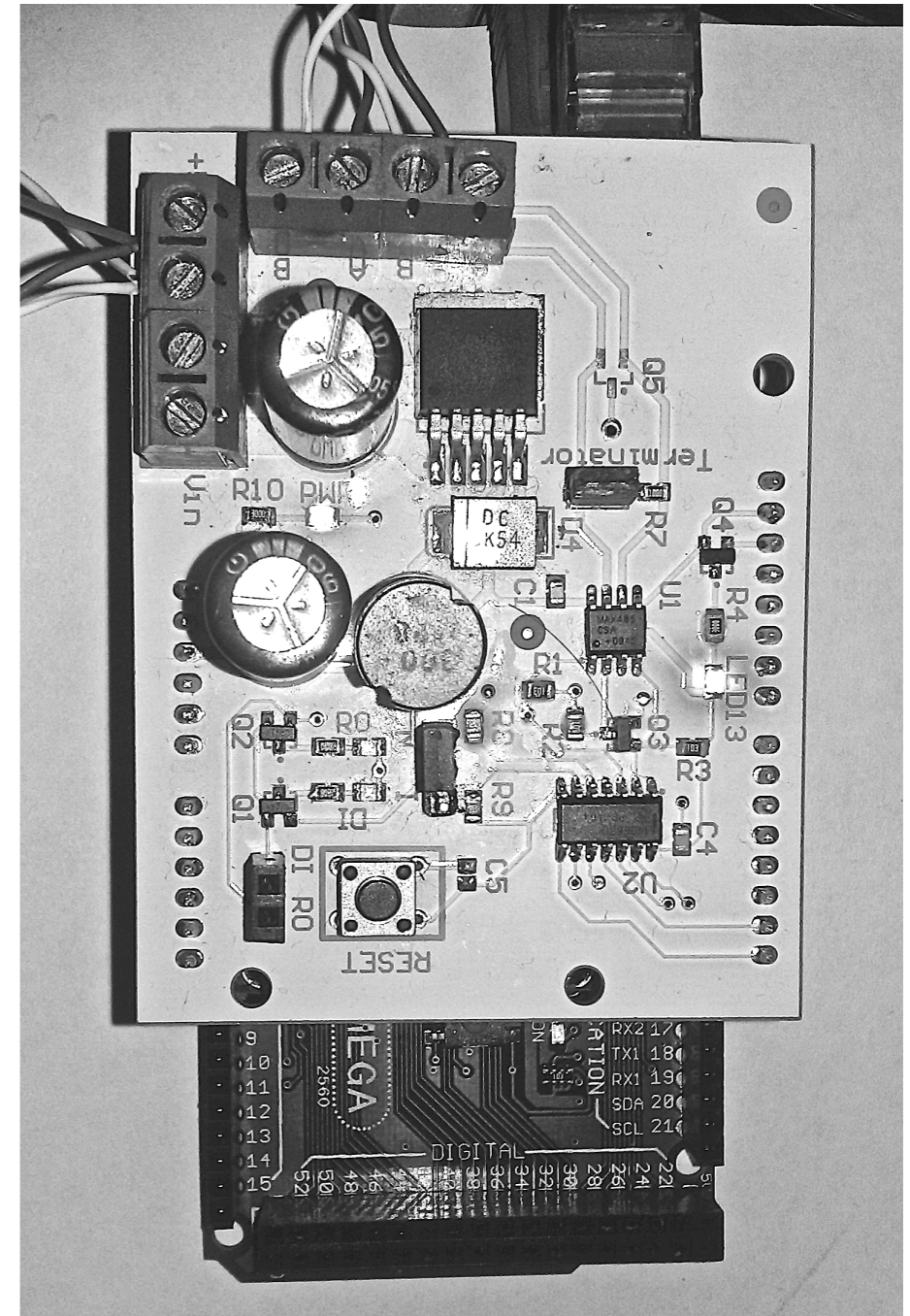


Polling system (1/3)

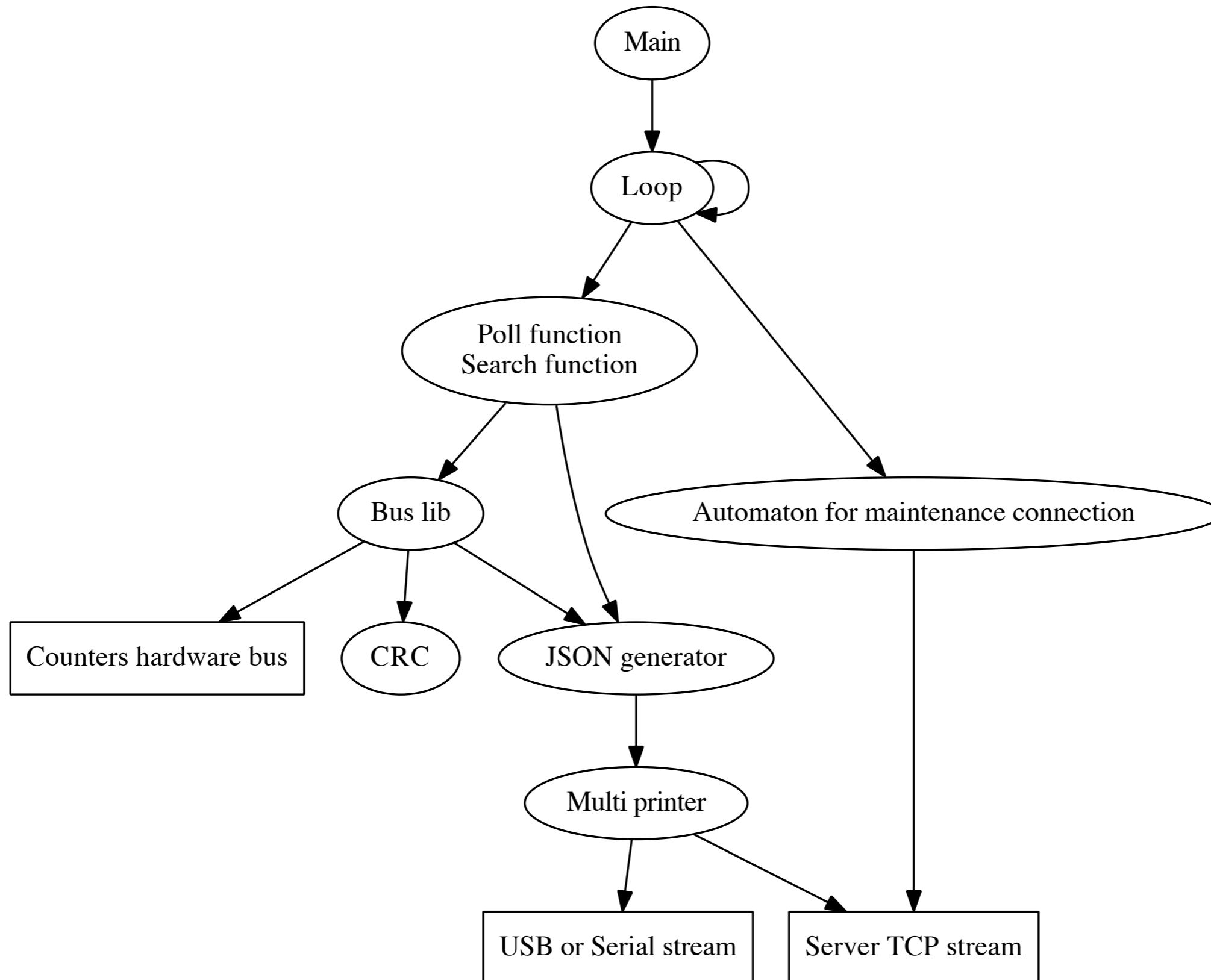


Polling system (2/3)

```
{
  "CounterAddress_" : 95,
  "LoginAction_" : "Logged in",
  "SerialNumber_" : 13535895,
  "ManufactureDate_" : "5-2-13",
  "Timestamp_Date" : "14-8-13",
  "Timestamp_Hour" : 18,
  "Timestamp_Min" : 25,
  "Timestamp_Sec" : 28,
  "Now_Power_P_SUM_value" : 28.82,
  "Now_Power_Q_SUM_value" : -26.2,
  "Now_Power_S_SUM_value" : 38.96,
  "Now_Voltage_Phase_1_value" : 11.15,
  "Now_Voltage_Phase_2_value" : 0.0,
  "Now_Voltage_Phase_3_value" : 239.13,
  "Now_PowerFactor_SUM_value" : 0.739,
  "Now_Frequency_value" : 50.01,
  "Uptime" : "30039"
}
{
  "type" : "debug",
  "Address" : "0x5Eh",
  "CountersSearch_SearchRequest_Error" : "No answer
from - 94", "CountersSearch_SearchRequest_Buffer" :
"5E 0 39 D0 ",
  "Uptime" : "27998"
}
```



Polling system (3/3)



Achievements

- Universal JSON-based counter data representation
- System is up 24/7 for about 4 months (of course with a little downtimes)
- Partnership with LPM gives us access to all of facility resources, e.g. lab for testing devices in extreme environment conditions
- Preliminary agreements with two other facilities about deployment of our system

Future work

- Develop:
 - more utility meter's protocol implementations
 - real-time monitoring and alarming system
 - custom ARM-based polling device with all ports on the same board
 - universal polling device firmware that can be updated remotely
- Boxed Solution

Thank you!
Any questions?

sp@winghouse.ru
+7 (812) 740-12-39
<http://winghouse.ru/>